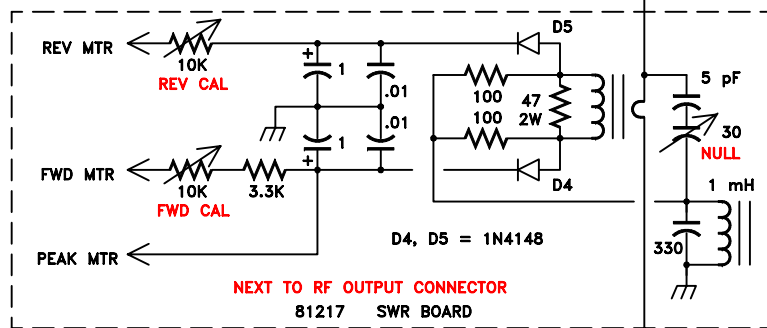
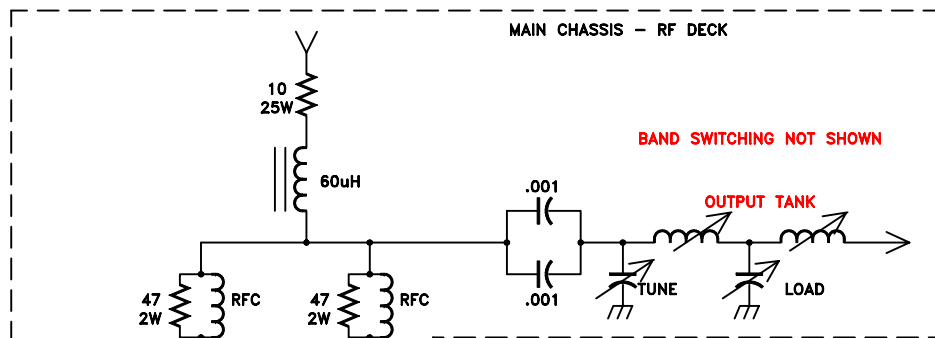
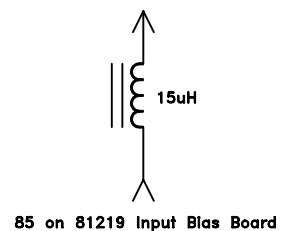
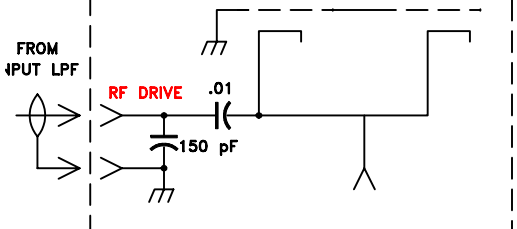
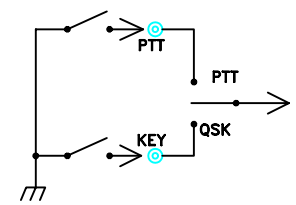
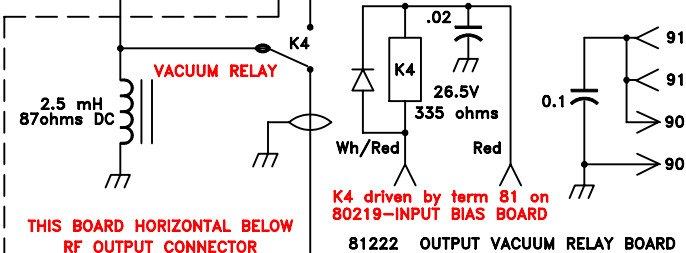
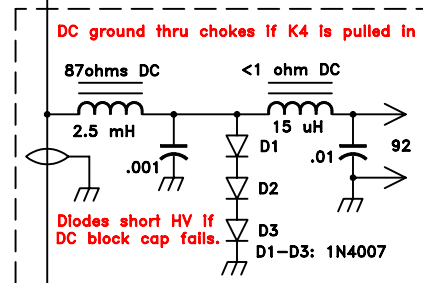


Q3-Q7: M  
D4-D13:



K4 in older units is Jennings RJ1A. In newer units may be Kilovac HC-1. The two parts are very different mechanically.



RF INPUT

